



**LEFROY BROOKS**

1 8 2 8 T R O U T M A N S T R E E T  
R I D G E W O O D N E W Y O R K N Y 1 1 3 8 5 U S A  
T: +1(718) 302 5292 F: +1(718) 302 4177

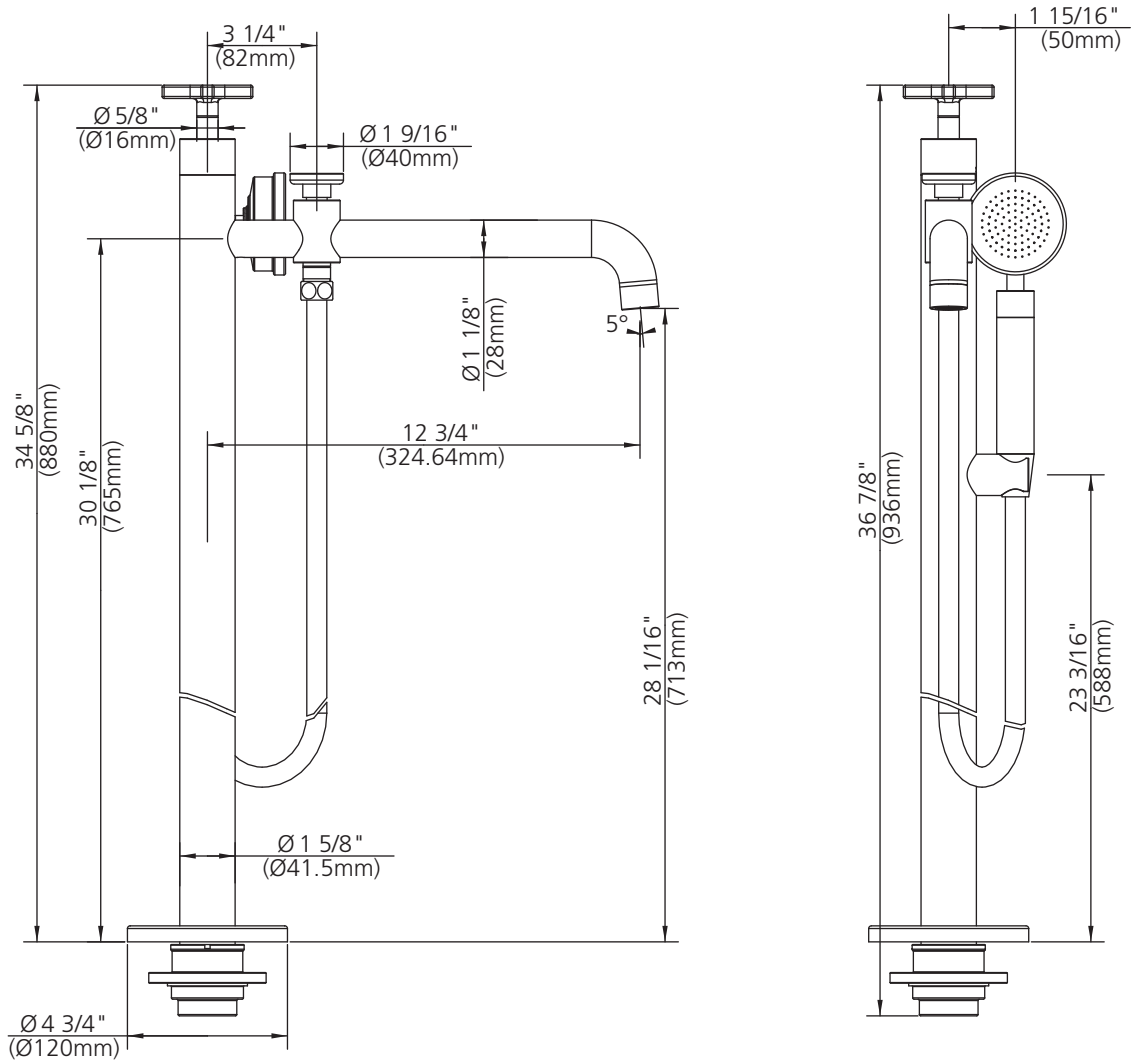
## M2-2303

FLEETWOOD CROSS HANDLE SINGLE-LEG BATH SHOWER MIXER  
WITH METAL-FINISH HANDLE TRIM ONLY, TO SUIT R1-4210 ROUGH

### DIMENSIONAL DATA SHEET

DATE: 06 OCT 2014

No: FS1CC700



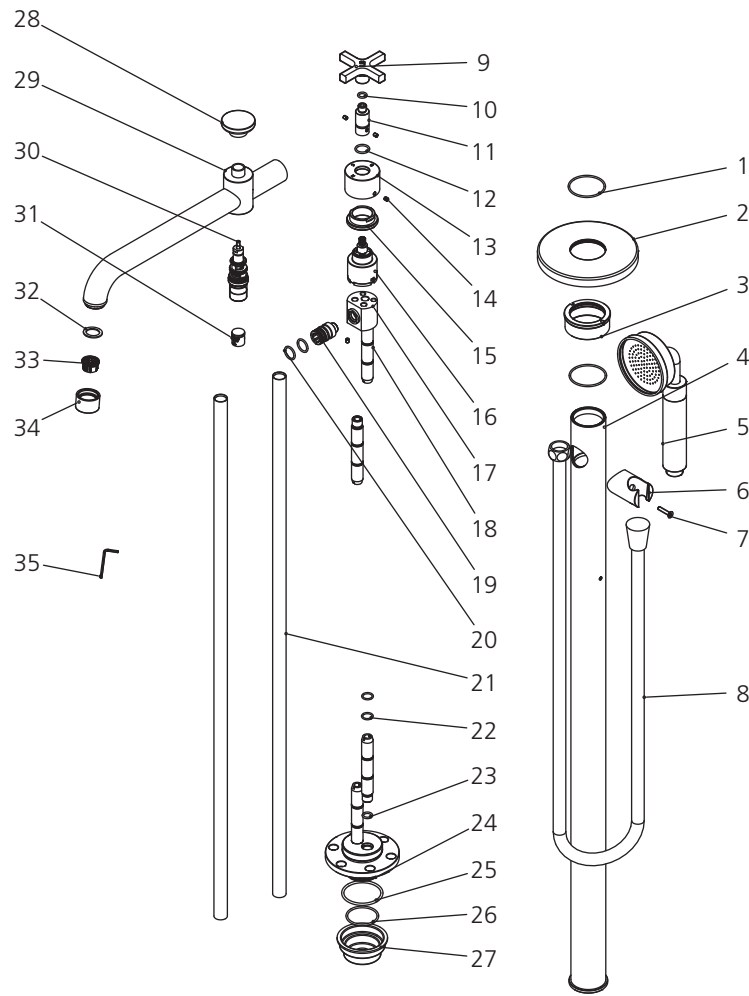
COPYRIGHT © LBIP LTD 2012. ALL RIGHTS RESERVED.

DIMENSIONS IN INCHES & MILLIMETRES

WHILST EVERY EFFORT IS MADE TO ENSURE THE ACCURACY OF THESE DATA SHEETS THEY ARE SUBJECT TO CHANGE WITHOUT NOTICE AS PART OF THE COMPANY'S PRODUCT DEVELOPMENT PROCESS

# M2-2303

FLEETWOOD CROSS HANDLE SINGLE-LEG BATH SHOWER MIXER WITH METAL-FINISH HANDLE TRIM ONLY, TO SUIT R1-4210 ROUGH

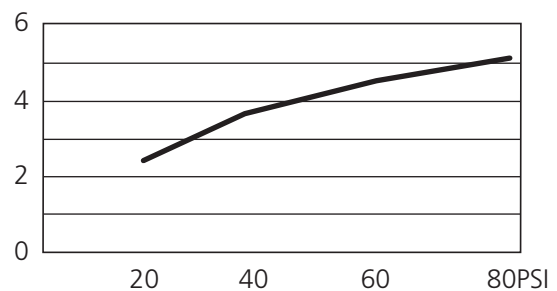


- |    |                          |    |                         |    |                             |
|----|--------------------------|----|-------------------------|----|-----------------------------|
| 1  | O-ring (072014)          | 13 | Handle base (215531-50) | 25 | O-ring (004045N)            |
| 2  | Flange (019319)          | 14 | Set screw (008191)      | 26 | O-ring (072088N)            |
| 3  | Nut (009288)             | 15 | Adjusting ring (104257) | 27 | Protective Cap (045247)     |
| 4  | Connection tube (064320) | 16 | Cartridge (507917)      | 28 | Button (036270)             |
| 5  | Hand shower (S2110314)   | 17 | Inside body (066551)    | 29 | Spout Assembly (523835)     |
| 6  | Shower bracket (112424)  | 18 | Adapter (067928)        | 30 | Diverter (501347E)          |
| 7  | Screw (008734)           | 19 | Adapter (067927)        | 31 | Backflow Preventer (519208) |
| 8  | Shower hose (105681)     | 20 | O-ring (072016)         | 32 | Oil seal (010899)           |
| 9  | Handle (069260)          | 21 | Internal pipe (051645)  | 33 | Aerator insert (114237R)    |
| 10 | O-ring (048015)          | 22 | O-ring (048085)         | 34 | Aerator housing (305781)    |
| 11 | Extension rod (110489)   | 23 | O-ring (004509N)        | 35 | Allen key (031003)          |
| 12 | O-ring (004076)          | 24 | Body (076701)           |    |                             |

## Standards

IAPMO/cUPC Listed  
Meets A112.18.1

## Flow Rate



Please note :

Final achievable flow rate is dependent on the outlets fitted, see relevant outlets (spouts, roses, sprays) for fully assembled product flow rate.